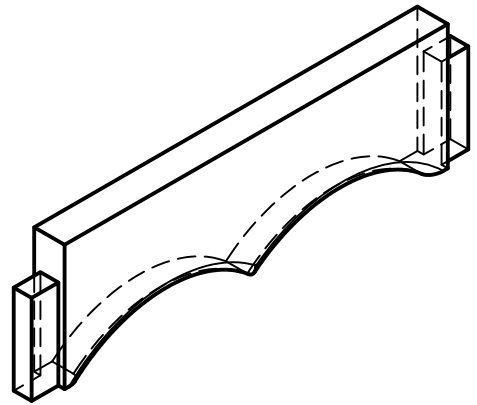


Shape of feature student design.



Dept.	Technical reference	Created by <b>Paul Manser</b> 17/02/2022	Approved by
		Document type	Document status
		Title <b>Rail v22.1</b>	DWG No.
Rev.	Date of issue	Sheet	1/1